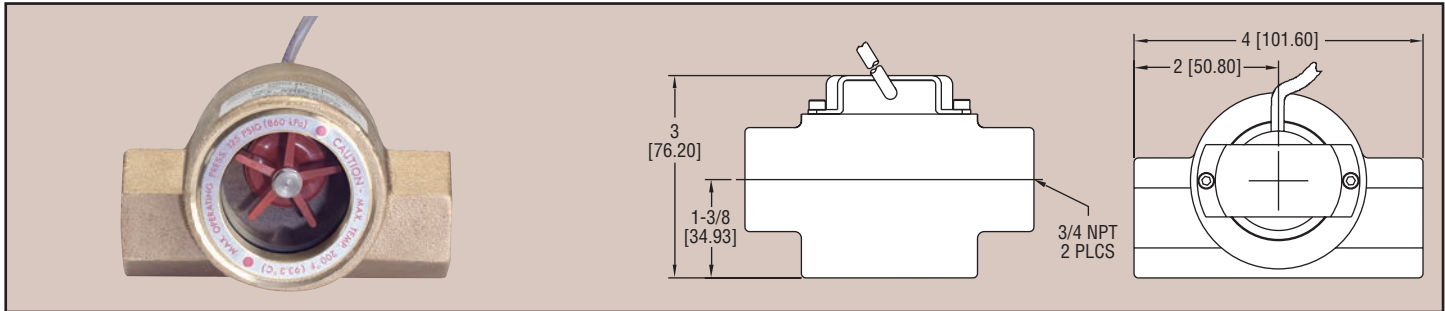




Series
SFI-100T

Sight Flow Indicator/Transmitter

Output for Flow Rate and Totalization



The SFI-100T is a low cost and durable flow transmitter that combines our popular 100 Series Sight Flow indicator with our A-711T output sensor. The SFI-100T sight flow indicator is constructed of a robust, solid brass body and a tempered glass window. A bright red impeller is featured for great visual indication of flow through the window. The front window can be easily unscrewed to clean out the sight flow indicator. Ideal for outdoor applications, the flow transmitter is weatherproof and unaffected by UV light.

The A-711T output sensor has a VDC output with pulsing for flow totalization and a proportional frequency change for flow rate. For added versatility there are two output choices of 5 VDC or a VDC equal to the input power supplied. The output is compatible with digital rate meters/totalizers and other electronic systems. Great for use in monitoring water flow especially in chillers.

| Model | Description | Range GPM (LPM) | Connection Female NPT |
|--------------------|------------------------------------|-------------------|-----------------------|
| SFI-100T-1/2-A711T | Brass Indicator with A-711T Sensor | 2-20 (7.6-75.5) | 1/2" |
| SFI-100T-3/4-A711T | Brass Indicator with A-711T Sensor | 3-35 (11.4-132.5) | 3/4" |
| A-711T | Output Sensor Package | — | — |

SPECIFICATIONS

Service: Compatible fluids.

Wetted Materials: Body: Brass; Window: Tempered glass; Rotor: Red UV stabilized PBT; Rotor pin: 316 SS; Thrust washers: 300 series SS; Gasket: Buna-N.

Temperature Limits: -20 to 200°F (-29 to 93°C).

Pressure Limits: 125 psi (8.62 bar).

Viscosity Max: 200 SSU.

Weight: SFI only: 1.5 lb (0.7 kg); with A-711T: 1.8 lb (0.8 kg).

ELECTRICAL SPECIFICATIONS

Temperature Limits: -20 to 212°F (-29 to 100°C).

Power Requirements: 8 to 28 VDC.

Output Signal: White lead: 5 VDC. Green lead: 8 to 28 VDC equal to supply voltage. Pulsed output with frequency rate proportional to flow rate.

Accuracy: ±5% of FS.

Frequency Output Range: 0 to 100 Hz.

Electrical Connections: Black lead: Ground; White lead: 5 VDC out pulse; Green lead: 8 to 28 VDC out pulse; Red lead: 8 to 28 VDC supply.