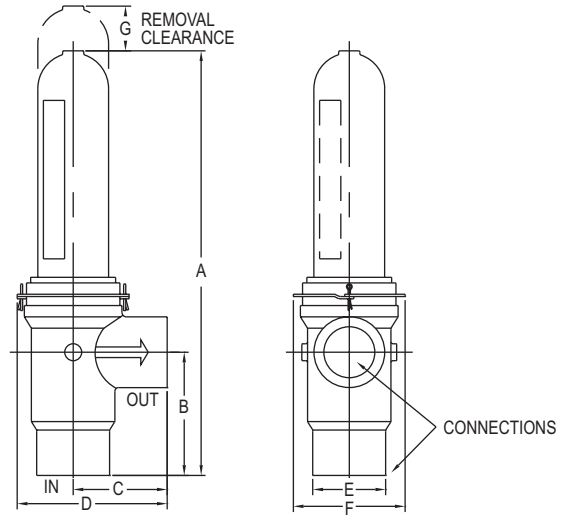


TOTAL VIEW INDUSTRIAL FLOWMETERS

View Flow Rate from 360°, Water or Air Ranges



TVFS



A	B	C	D	E	F	G	Female NPT	Material
9.36	2.81	2.68	4.00	1.35	2.72	3.00	3/4"	SS
15.22	4.53	3.71	5.70	2.48	3.95	5.00	1-1/2"	SS

The **SERIES TVF** Total View Industrial Flowmeters are economically priced, tough, simple and accurate meters. The flowmeters have a full scale accuracy of $\pm 2\%$ and constructed of T-316 stainless steel. The Series TVF flowmeters are available with standard 3/4" and 1-1/2" female NPT connections.

FEATURES/BENEFITS

- Easy to read with 360° rotation of scale on plastic sight tube models
- The sight tube is comprised of polysulfone for added corrosion resistance
- Easily disassembled without the meter being removed from the pipeline for easy cleaning
- Rugged construction allows for high pressure and temperature rating for long operation life

APPLICATIONS

- Water & oil flow monitoring
- Coolant lines
- Compressed gases
- Industrial applications

SPECIFICATIONS

Service: Compatible gases or liquids.
Wetted Materials: Body: SS; O-rings: Buna-N; Sight tube: Polysulfone.
Temperature Limits: See "Operating Limits" table.
Pressure Limits: See "Operating Limits" table.
Accuracy: $\pm 2\%$ of FS.
Repeatability: $\pm 0.25\%$ of indicated flow rate.
Process Connections: 3/4" and 1-1/2" female NPT.
Scale Length: 3.2" (8 cm) for 3/4" NPT connection, 5.2" (13 cm) for 1-1/2" NPT connection.
Weight: 4 lb (1.8 kg) for 3/4", and 12 lb (5.5 kg) for 1-1/2".

MODEL CHART

Example	TVFS	-00	TVFS-00
Series	TVFS		3/4" female NPT 1-1/2" female NPT
Range Code		-XX	See Range/Connection Chart (add range code to Series designator for model number)

Note: Contact factory for optional metric scales (liters/minute).

OPERATING LIMITS

Connection	Maximum Non-Shock Working Pressure psig @ °F (bar @ °C)		
	200°F (93°C)	250°F (121°C)	300°F (148°C)
3/4"	300 (20.6)	250 (17.2)	115 (7.9)
1-1/2"	180 (12.4)	145 (10.0)	70 (4.8)

RANGE/CONNECTION CHART

Range Code	Range GPM Water	Connection (Female NPT)	Range Code	Range SCFM Air	Connection (Female NPT)	Range Code	Range SCFM Air	Connection (Female NPT)
-00	0.025 to 0.545	3/4"	-19	0.16 to 3.20	3/4"	-33	1.50 to 25.0	1-1/2"
-01	0.04 to 0.80	3/4"	-20	0.50 to 5.00	3/4"	-34	1.00 to 31.0	1-1/2"
-02	0.06 to 1.20	3/4"	-21	0.30 to 7.40	3/4"	-35	2.00 to 40.0	1-1/2"
-03	0.08 to 1.64	3/4"	-22	0.50 to 10.2	3/4"	-36	3.0 to 70.0	1-1/2"
-04	0.10 to 2.60	3/4"	-23	0.60 to 14.0	3/4"	-37	4.0 to 100.0	1-1/2"
-05	0.15 to 3.80	3/4"	-24	1.00 to 20.0	3/4"	-38	5.0 to 140.0	1-1/2"
-06	0.20 to 5.40	3/4"	-25	1.00 to 26.0	3/4"	-39	5.0 to 175.0	1-1/2"
-07	0.20 to 7.00	3/4"	-26	1.00 to 35.0	3/4"	-40	6.00 to 250.0	1-1/2"
-08	0.20 to 10.0	3/4"	-27	2.00 to 50.0	3/4"	-41	2.00 to 310.0	1-1/2"
-09	0.60 to 14.00	3/4"	-28	3.00 to 70.0	3/4"	-42	7.50 to 390.0	1-1/2"
-10	0.50 to 23.00	3/4"	-29	4.00 to 85.0	3/4"	-43	10.0 to 510.0	1-1/2"
-11	0.50 to 11.0	1-1/2"	-30	6.00 to 125.0	3/4"	-44	35.0 to 750.0	1-1/2"
-12	0.70 to 15.0	1-1/2"	-31	6.0 to 160.0	3/4"	-45	20.0 to 1000.0	1-1/2"
-13	1.00 to 21.0	1-1/2"	-32	4.00 to 260.0	3/4"			
-14	0.50 to 35.0	1-1/2"						
-15	1.00 to 50.0	1-1/2"						
-16	2.00 to 70.0	1-1/2"						
-17	3.00 to 90.0	1-1/2"						
-18	4.00 to 120.0	1-1/2"						